

## User Manual-V1 VPS – Video Panel System



## Table of Contents

<b>1.</b>	<b>Product Overview .....</b>	<b>3</b>
<b>1.1.</b>	<b>Introduction to Product.....</b>	<b>3</b>
<b>1.2.</b>	<b>Specification .....</b>	<b>3</b>
<b>1.3.</b>	<b>Features .....</b>	<b>4</b>
<b>1.4.</b>	<b>Dimension.....</b>	<b>5</b>
<b>1.5.</b>	<b>Interface Introduction .....</b>	<b>5</b>
<b>.2</b>	<b>Installation instructions.....</b>	<b>6</b>
<b>2.1.</b>	<b>Wall-mounted installation .....</b>	<b>6</b>
<b>2.2.</b>	<b>Flush-mounted. ....</b>	<b>7</b>
<b>2.3.</b>	<b>Installation Height .....</b>	<b>8</b>
<b>.3</b>	<b>Setup a new device.....</b>	<b>8</b>
<b>3.1.</b>	<b>New device setup via the PalGate application .....</b>	<b>8</b>
<b>3.2.</b>	<b>New device Setup via the PAL Portal.....</b>	<b>10</b>
<b>4.</b>	<b>VPS Main Screen.....</b>	<b>12</b>

## 1. Product Overview

### 1.1. Introduction to Product

Thank you for selecting our product, the VPS-Video Panel System, providing you with a wireless video intercom touch panel screen. Enjoy effortless and swift installation without the need for infrastructure. This system enables you to make video calls and manage settings conveniently through the PalGate App and WEB portal.

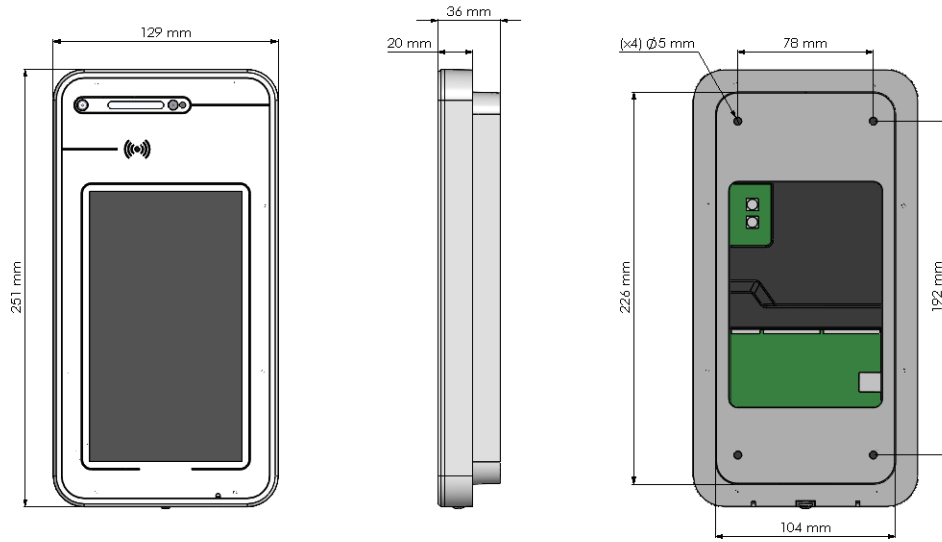
### 1.2. Specification



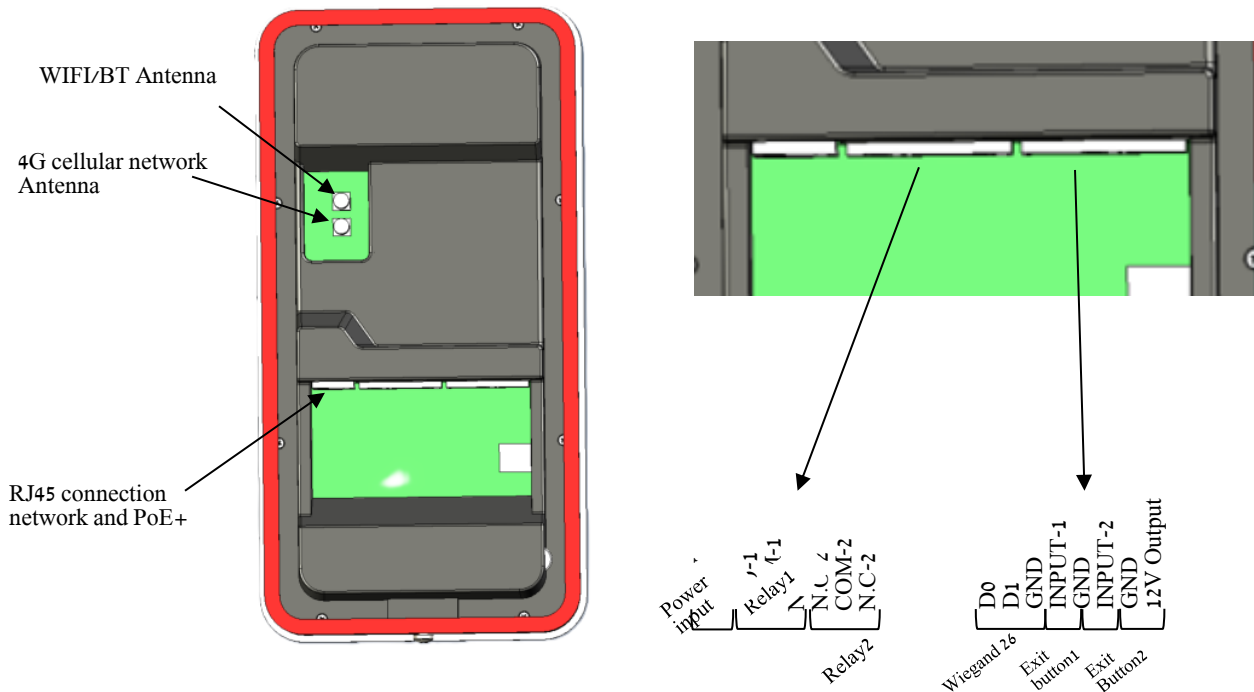
### 1.3. Features

<b>Display Size</b>	<b>7-inch</b>
<b>Display Resolution</b>	720x1280
<b>Touch Screen</b>	√
<b>Anti vandal design</b>	√
<b>Anti vandal glass</b>	√
<b>camera</b>	8M pixels View Angle 120°
<b>cellular network supported</b>	4G / 3G / 2G
<b>Wi-Fi 802.11a/b/g/n</b>	2400MHz~2482MHz 5180MHz~5825MHz
<b>Bluetooth</b>	BT4.2 LE
<b>NFC</b>	13.56 MHz
<b>Ethernet</b>	RJ45, 10/100Mbps
<b>Relay</b>	2 * Relays (N.O/N.C)
<b>Input</b>	2 * Input
<b>Supports App</b>	Android / iOS
<b>PoE</b>	Fully-Integrated IEEE 802.3-Compliant POE+ PD Interface
<b>Card reader</b>	NFCIP-1 NFCIP-2 ISO/IEC 14443 ISO/IEC 15693 MIFARE
<b>Audio Interfaces</b>	Speaker: Hidden powerful 15W/4Ω Microphone: -42dB ±3dB @ 94dB SPL
<b>Installation</b>	Wall-mounted Flush-mounthed
<b>Power Supply</b>	DC 48V or/and PoE+
<b>Power Output</b>	DC 12V 2.5A
<b>Working Temperature</b>	-20 to 65°C
<b>Touch Panel Interface</b>	√
<b>Ambient Light Sensor</b>	√
<b>Wiegand 26bit reader</b>	√
<b>SD Card Interface</b>	√
<b>Physical Characteristics</b>	Size: 251.6 x 129.6 mm
<b>languages</b>	English,Hebrew,Russian,Spanish,Dutch

### 1.4. Dimension



### 1.5. Interface Introduction

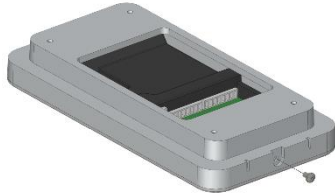


\*Power Input - PoE+ or/and power supply 48V DC

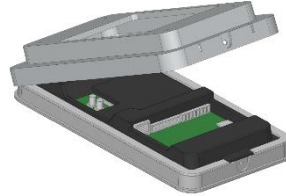
## 2. Installation instructions

### 2.1. Wall-mounted installation

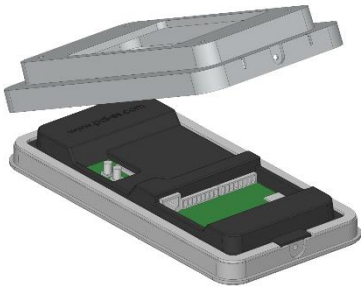
**Step 1-** Please loosen the screw.



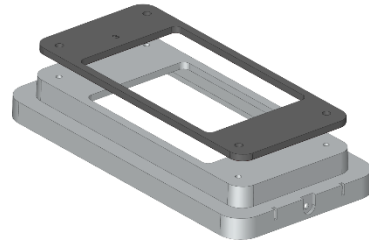
**Step 2-** Separate the panel from the back cover.



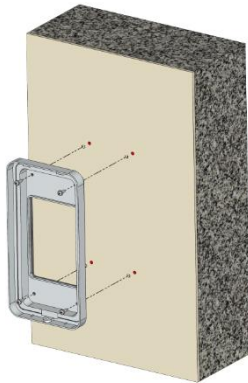
**Step 3**



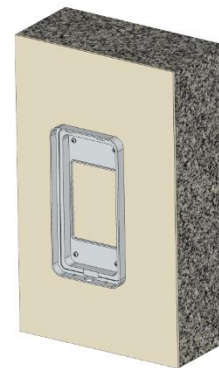
**Step 4-** Stick the gasket to the rear of the unit, (to prevent water from entering).



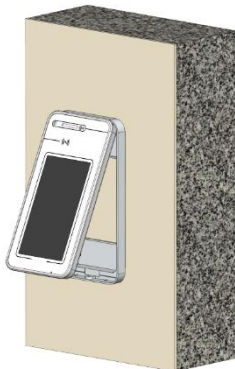
**Step 5-** Secure it by tightening the screws to the wall.



**Step 6**



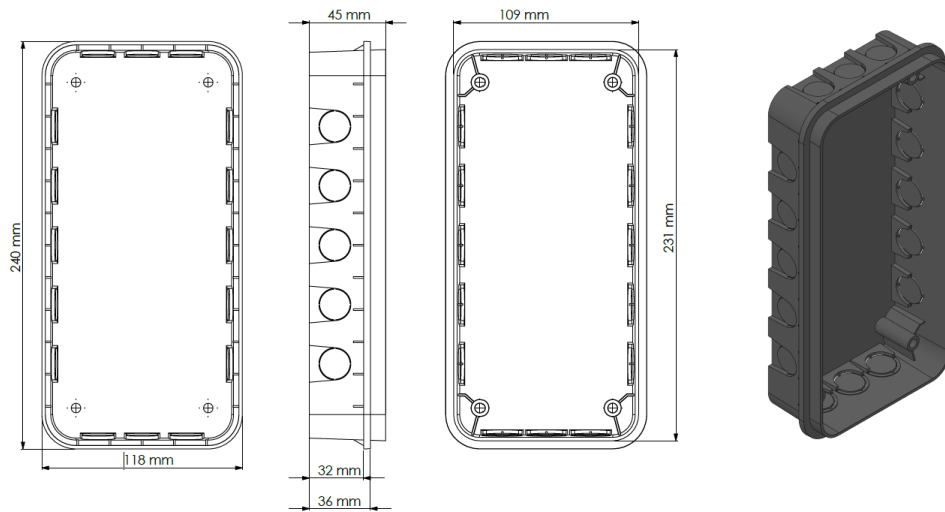
**Step 7**



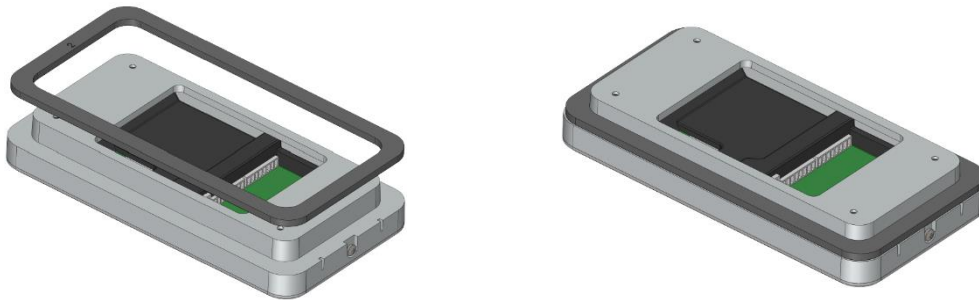
**Step 8-** Fix VPS front panel on the case with screws.



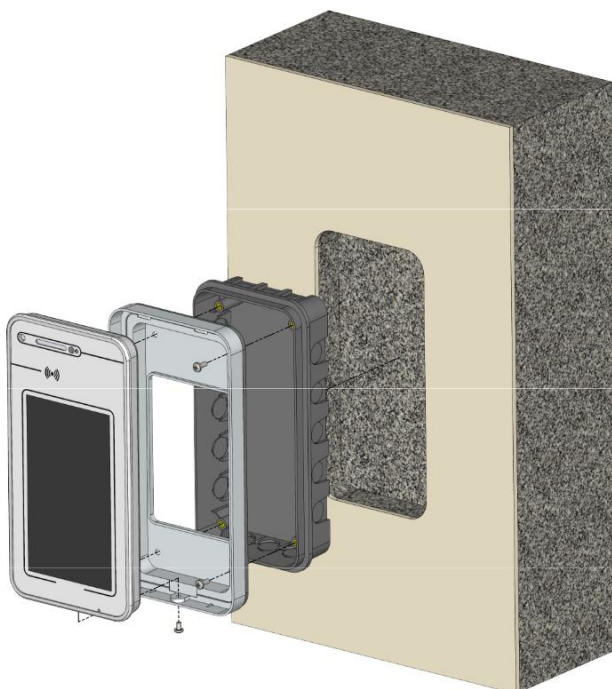
## 2.2.Flush-mounted.



**Step 1** - Stick the gasket to the rear of the unit, (to prevent water from entering).



**Step 2**



### 2.3. Installation Height



The recommended installation height for the camera is 1.5 meters (4.9 feet) above the ground.

### 3. Setup a new device

There are two options available for system setup: through the PalGate application or via the WEB portal.

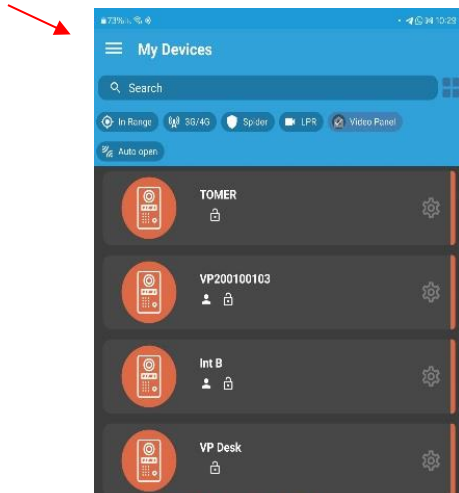
#### 3.1. New device setup via the PalGate application

You may download our App from either the Apple App Store or from Google Play by searching for the name “PalGate”. If you prefer, you can access a direct link by scanning the QR codes below

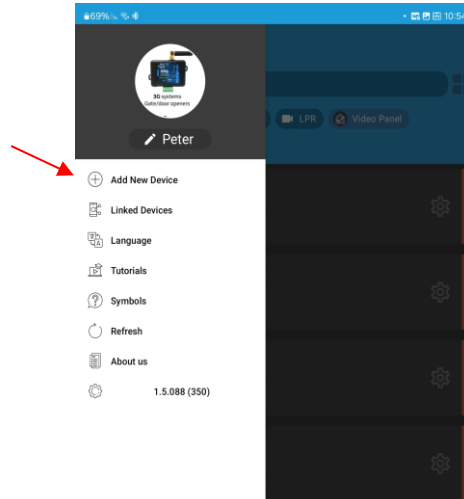




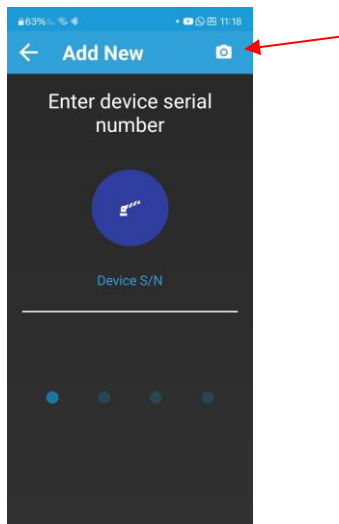
**Step1-** Launch the app and tap on the three horizontal lines located at the top-left corner of the screen.



**Step2-** Press on 'Add New Device.'



**Step3-** Press on the camera icon located at the top-right corner of the screen.



**Step4-** Proceed to scan the QR code displayed on the VPS screen.



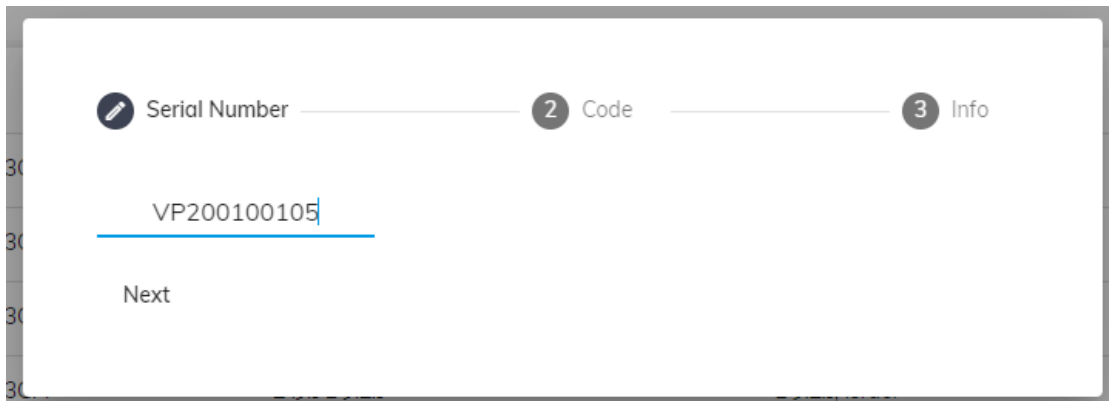
**Step5-** Proceed with the setup process and follow the instructions provided within the application. Upon completion of this process, the system setup will be successfully finalized.

### 3.2. New device Setup via the PAL Portal

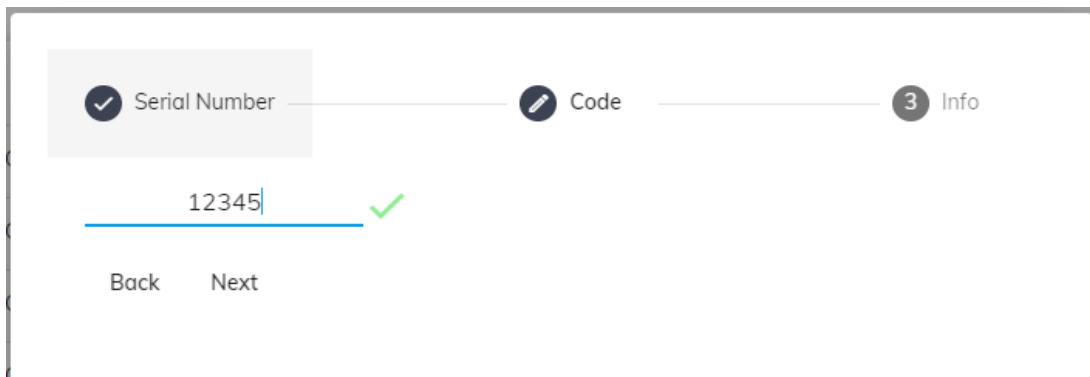
**Step1-** Sign into the PAL Portal and you will see the homepage. Click on “Devices” and on the + button to add a new device.



**Step2-** This will open a window (below) where you are asked to enter the Serial number of the device and then click next. This number will begin with VP followed by 9 digits and can be found on the sticker on the PAL packaging or on the back of the device.



**Step3-** After you enter the Serial # you will be asked to enter a code and then click next. The code is a 5-digit number shown on the sticker on the PAL packaging or on the back of the device.



**Step4-** Next you will enter the address of the new device. This can be as simple as a city and state or can be an exact street address. The name is what the account administrator will name the device and Output 1 is the name of the device the VPS unit will be controlling. **CLICK THE SAVE BUTTON ONCE THIS INFORMATION HAS BEEN ENTERED**

Serial Number  Code  Info

Address  
USA

Name  
VPS

Output 1  
Main entrance

Output 2  
Rear entrance

**Save** Cancel

Living Water Ranch Colorado

Google Keyboard shortcuts Map Data Terms

#### 4. VPS Main Screen.



#### Main Screen

On the main screen, you can find:

#### **CALL BUTTON:**

There are two options to call:

- Enter the apartment number and press the bell icon, it will call to all residents of that apartment.
- Click on the bell icon and a new screen will open with an address book of apartments to search and call an apartment.

#### **PIN CODE:**

Pin code menu allows an authorized user access code/password to open door.

#### **CUSTOM TITLE BAR:**

You have the option to input a title to be prominently displayed atop the screen, whether it be an address, building name, or any other desired identifier.

#### **Screen Saver:**

In the screen saver you can add a caption such as a company name, address, etc. which will be displayed in the screen saver. The screen saver comes into action when the VPS does not detect user activity for a specified period of time (prevents damage to the screen and saves energy).

Important Information:

1. The installation of the VPS must include its gasket as per mandatory requirements, The device must be installed on solid and flat surface.
2. The system works via a cellular network using 4G technology. In addition, the system's performance is dependent on the existence of coverage by the cellular network. Pal Electronics Systems Ltd. is not responsible for non-coverage of the cellular network. The customer is responsible for ensuring that there is cellular network reception using 4G technology.
3. Please ensure the VPS is kept clear of magnetic fields, high temperatures, and moisture-prone environments.
4. Installation must be done by professionals.
5. Please do not disassemble the VPS without professional instruction.
6. The Manual is for reference only. If there is inconsistency between the Manual and the actual product, the actual product shall prevail.
7. As the device user or data controller, you may collect personal data of others such as face, license plate number, email address, phone number, and all. You must comply with local privacy protection laws.